



**COLD STORAGE DOORS**

A Division of Imperial Manufacturing  
 Phone: 503.665.5539  
 800.238.4093  
 Fax: 503.665.2929  
[www.imperialmfg.com](http://www.imperialmfg.com)

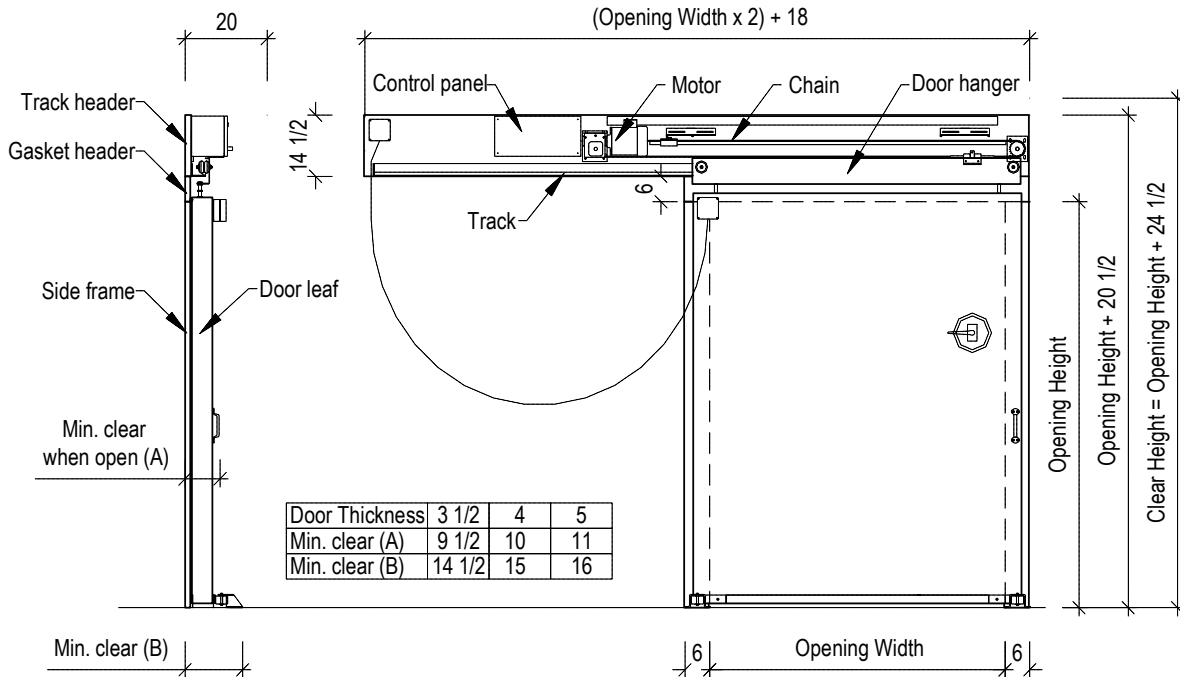
Job Number: \_\_\_\_\_

Job Name: \_\_\_\_\_

Date: \_\_\_\_\_

Quantity: \_\_\_\_\_

## Horizontal Electric Sliding Door (Left Slide)



HSEL\_HOR05

<b>Net Opening</b> Width: _____ Height: _____	<b>Door Type</b> <input type="checkbox"/> Cooler <input type="checkbox"/> Freezer Temperature: _____ °F	<b>Door Panel Thickness:</b> <input type="checkbox"/> 3 1/2" <input type="checkbox"/> 4" <input type="checkbox"/> 5"	<b>Exterior Finish / Kickplates</b> <input type="checkbox"/> Smooth <input type="checkbox"/> Stucco <input type="checkbox"/> Steel Galvanized <input type="checkbox"/> Steel White <input type="checkbox"/> Aluminum <input type="checkbox"/> Aluminum White <input type="checkbox"/> Stainless Steel* _____ <input type="checkbox"/> Galvaneal* _____ <input type="checkbox"/> Other _____ <input type="checkbox"/> Rigidized <input type="checkbox"/> Kickplates <input type="checkbox"/> Aluminum Diamond Tread <input type="checkbox"/> Galvanized <input type="checkbox"/> _____ *smooth only	<b>Interior Finish / Kickplates</b> <input type="checkbox"/> Smooth <input type="checkbox"/> Stucco <input type="checkbox"/> Steel Galvanized <input type="checkbox"/> Steel White <input type="checkbox"/> Aluminum <input type="checkbox"/> Aluminum White <input type="checkbox"/> Stainless Steel* _____ <input type="checkbox"/> Galvaneal* _____ <input type="checkbox"/> Other _____ <input type="checkbox"/> Rigidized <input type="checkbox"/> Kickplates <input type="checkbox"/> Aluminum Diamond Tread <input type="checkbox"/> Galvanized <input type="checkbox"/> _____ *smooth only
<b>Options</b> <input type="checkbox"/> Lock Hasp w/ Safety Release <input type="checkbox"/> Breaker Handle <input type="checkbox"/> Heated Threshold <input type="checkbox"/> Double Frame & Header <input type="checkbox"/> Return Jamb Wall Thickness: _____ <input type="checkbox"/> View Window (in wicket door) <input type="checkbox"/> Non-Heated <input type="checkbox"/> Heated		<b>Electric Operator</b> <input type="checkbox"/> 208V <input type="checkbox"/> 220V <input type="checkbox"/> 460V <input type="checkbox"/> 1 ph <input type="checkbox"/> 3 ph <input type="checkbox"/> 60Hz <input type="checkbox"/> 50 Hz _____ Additional Pull Cords (2 standard) Radio Set: <input type="checkbox"/> Standard (operates 1 door) <input type="checkbox"/> Industrial (operates up to 4 doors) <input type="checkbox"/> Timer <input type="checkbox"/> Magnetic Loop <input type="checkbox"/> Microwave Sensor		

Charges will be assumed by buyer for changes or cancellations to work in process. Buyer hereby accepts responsibility for all sizes and dimensions. This order will not be processed until all acknowledgment forms are signed and returned.

Specifications Accepted by: \_\_\_\_\_

Date: \_\_\_\_\_





**COLD STORAGE DOORS**

A Division of Imperial Manufacturing  
 Phone: 503.665.5539  
 800.238.4093  
 Fax: 503.665.2929  
[www.imperialmfg.com](http://www.imperialmfg.com)

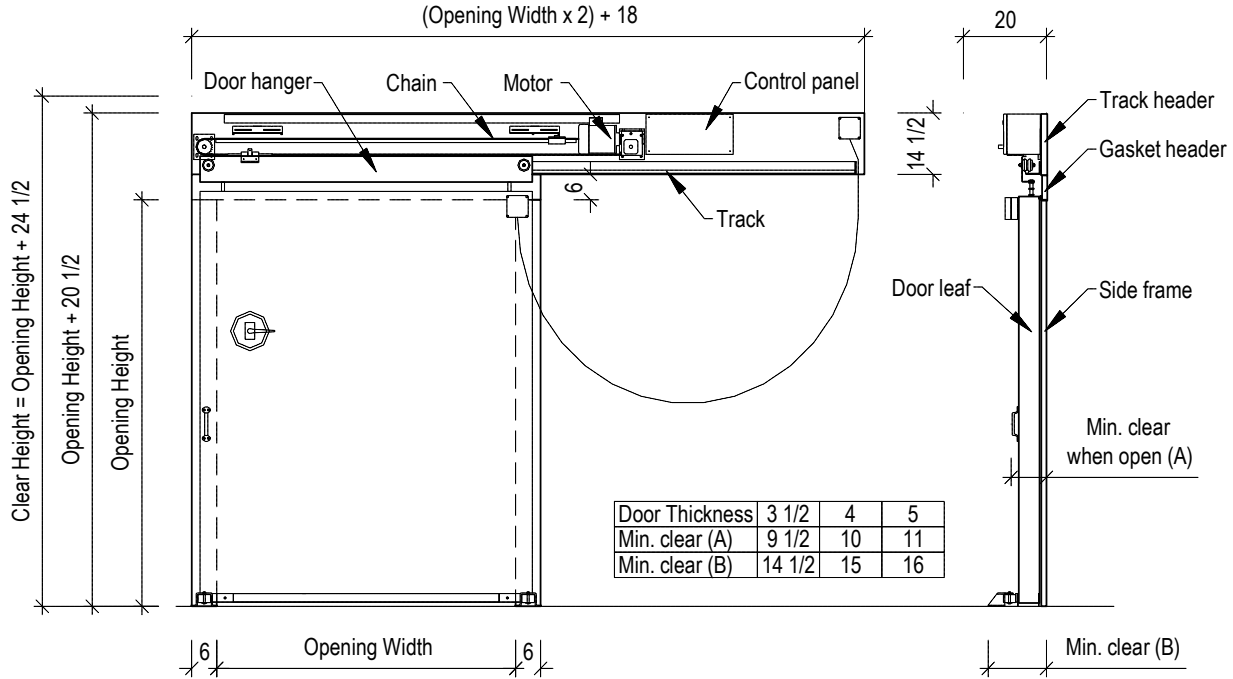
Job Number: \_\_\_\_\_

Job Name: \_\_\_\_\_

Date: \_\_\_\_\_

Quantity: \_\_\_\_\_

**Horizontal Electric Sliding Door (Right Slide)**



HSER\_HOR05

<b>Net Opening</b> Width: _____ Height: _____	<b>Door Type</b> <input type="checkbox"/> Cooler <input type="checkbox"/> Freezer Temperature: _____ °F	<b>Door Panel Thickness:</b> <input type="checkbox"/> 3 1/2" <input type="checkbox"/> 4" <input type="checkbox"/> 5"	<b>Exterior Finish / Kickplates</b> <input type="checkbox"/> Smooth <input type="checkbox"/> Stucco <input type="checkbox"/> Steel Galvanized <input type="checkbox"/> Steel White <input type="checkbox"/> Aluminum <input type="checkbox"/> Aluminum White <input type="checkbox"/> Stainless Steel* _____ <input type="checkbox"/> Galvaneal* _____ <input type="checkbox"/> Other _____ <input type="checkbox"/> Rigidized <input type="checkbox"/> Kickplates <input type="checkbox"/> Aluminum Diamond Tread <input type="checkbox"/> Galvanized <input type="checkbox"/> _____ *smooth only	<b>Interior Finish / Kickplates</b> <input type="checkbox"/> Smooth <input type="checkbox"/> Stucco <input type="checkbox"/> Steel Galvanized <input type="checkbox"/> Steel White <input type="checkbox"/> Aluminum <input type="checkbox"/> Aluminum White <input type="checkbox"/> Stainless Steel* _____ <input type="checkbox"/> Galvaneal* _____ <input type="checkbox"/> Other _____ <input type="checkbox"/> Rigidized <input type="checkbox"/> Kickplates <input type="checkbox"/> Aluminum Diamond Tread <input type="checkbox"/> Galvanized <input type="checkbox"/> _____ *smooth only
<b>Options</b> <input type="checkbox"/> Lock Hasp w/ Safety Release <input type="checkbox"/> Breaker Handle <input type="checkbox"/> Heated Threshold <input type="checkbox"/> Double Frame & Header <input type="checkbox"/> Return Jamb Wall Thickness: _____ <input type="checkbox"/> View Window (in wicket door) <input type="checkbox"/> Non-Heated <input type="checkbox"/> Heated	<b>Electric Operator</b> <input type="checkbox"/> 208V <input type="checkbox"/> 220V <input type="checkbox"/> 460V <input type="checkbox"/> 1 ph <input type="checkbox"/> 3 ph <input type="checkbox"/> 60Hz <input type="checkbox"/> 50 Hz _____ Additional Pull Cords (2 standard) Radio Set: <input type="checkbox"/> Standard (operates 1 door) <input type="checkbox"/> Industrial (operates up to 4 doors) <input type="checkbox"/> Timer <input type="checkbox"/> Magnetic Loop <input type="checkbox"/> Microwave Sensor			

Charges will be assumed by buyer for changes or cancellations to work in process. Buyer hereby accepts responsibility for all sizes and dimensions. This order will not be processed until all acknowledgment forms are signed and returned.

Specifications Accepted by: \_\_\_\_\_

Date: \_\_\_\_\_



**COLD STORAGE DOORS**

A Division of Imperial Manufacturing

Phone: 503.665.5539

800.238.4093

Fax: 503.665.2929

[www.imperialmfg.com](http://www.imperialmfg.com)

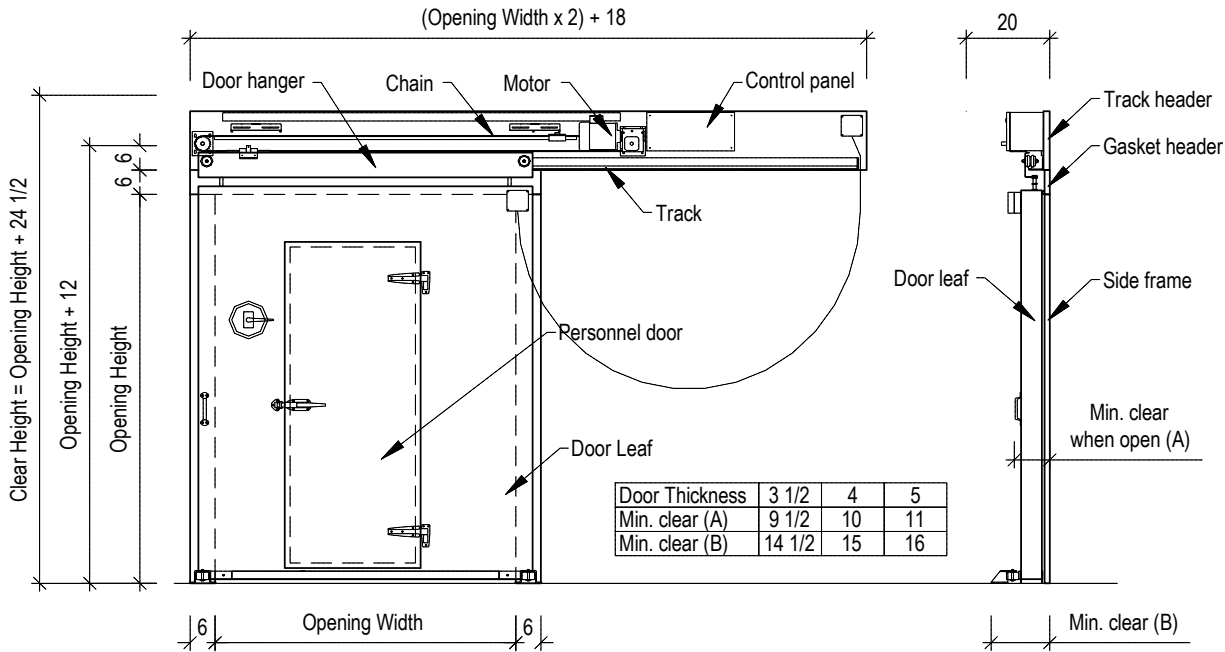
Job Number: \_\_\_\_\_

Job Name: \_\_\_\_\_

Date: \_\_\_\_\_

Quantity: \_\_\_\_\_

## Horizontal Electric Sliding Door w/ Personnel Door (Right Slide, Right Hinge)



HSERP\_HOR05

<b>Net Opening</b> Width: _____ Height: _____		<b>Door Type</b> <input type="checkbox"/> Cooler <input type="checkbox"/> Freezer Temperature: _____ °F		<b>Door Panel Thickness:</b> <input type="checkbox"/> 3 1/2" <input type="checkbox"/> 4" <input type="checkbox"/> 5"		<b>Exterior Finish</b> <input type="checkbox"/> Smooth <input type="checkbox"/> Stucco <input type="checkbox"/> Steel Galvanized <input type="checkbox"/> Steel White <input type="checkbox"/> Aluminum <input type="checkbox"/> Aluminum White <input type="checkbox"/> Stainless Steel* _____ <input type="checkbox"/> Galvaneal* _____ <input type="checkbox"/> Other _____ <input type="checkbox"/> Rigidized <input type="checkbox"/> Kickplates <input type="checkbox"/> Aluminum Diamond Tread <input type="checkbox"/> Galvanized <input type="checkbox"/> _____ *smooth only		<b>Interior Finish</b> <input type="checkbox"/> Smooth <input type="checkbox"/> Stucco <input type="checkbox"/> Steel Galvanized <input type="checkbox"/> Steel White <input type="checkbox"/> Aluminum <input type="checkbox"/> Aluminum White <input type="checkbox"/> Stainless Steel* _____ <input type="checkbox"/> Galvaneal* _____ <input type="checkbox"/> Other _____ <input type="checkbox"/> Rigidized <input type="checkbox"/> Kickplates <input type="checkbox"/> Aluminum Diamond Tread <input type="checkbox"/> Galvanized <input type="checkbox"/> _____ *smooth only	
<b>Options</b> <input type="checkbox"/> Lock Hasp w/ Safety Release <input type="checkbox"/> Breaker Handle <input type="checkbox"/> Heated Threshold <input type="checkbox"/> Double Frame & Header <input type="checkbox"/> Return Jamb Wall Thickness: _____ <input type="checkbox"/> View Window (in wicket door) <input type="checkbox"/> Non-Heated <input type="checkbox"/> Heated		<b>Electric Operator</b> <input type="checkbox"/> 208V <input type="checkbox"/> 220V <input type="checkbox"/> 460V <input type="checkbox"/> 1 ph <input type="checkbox"/> 3 ph <input type="checkbox"/> 60Hz <input type="checkbox"/> 50 Hz _____ Additional Pull Cords (2 Std) Radio Set: <input type="checkbox"/> Standard (operates 1 door) <input type="checkbox"/> Industrial (operates up to 4 drs) <input type="checkbox"/> Timer <input type="checkbox"/> Magnetic Loop <input type="checkbox"/> Microwave Sensor		<b>Wicket Door</b> Width: _____ Height: _____ <input type="checkbox"/> Heat Cable <input type="checkbox"/> "D" Gasket <input type="checkbox"/> Magnetic Gasket <input type="checkbox"/> (_____) Hinges <input type="checkbox"/> Latch/Strike <input type="checkbox"/> Inside Release <input type="checkbox"/> Closer <input type="checkbox"/> Cylinder Lock <input type="checkbox"/> Locking Bar					

Charges will be assumed by buyer for changes or cancellations to work in process. Buyer hereby accepts responsibility for all sizes and dimensions. This order will not be processed until all acknowledgment forms are signed and returned.

Specifications Accepted by: \_\_\_\_\_

Date: \_\_\_\_\_



**COLD STORAGE DOORS**

A Division of Imperial Manufacturing  
 Phone: 503.665.5539  
 800.238.4093  
 Fax: 503.665.2929  
[www.imperialmfg.com](http://www.imperialmfg.com)

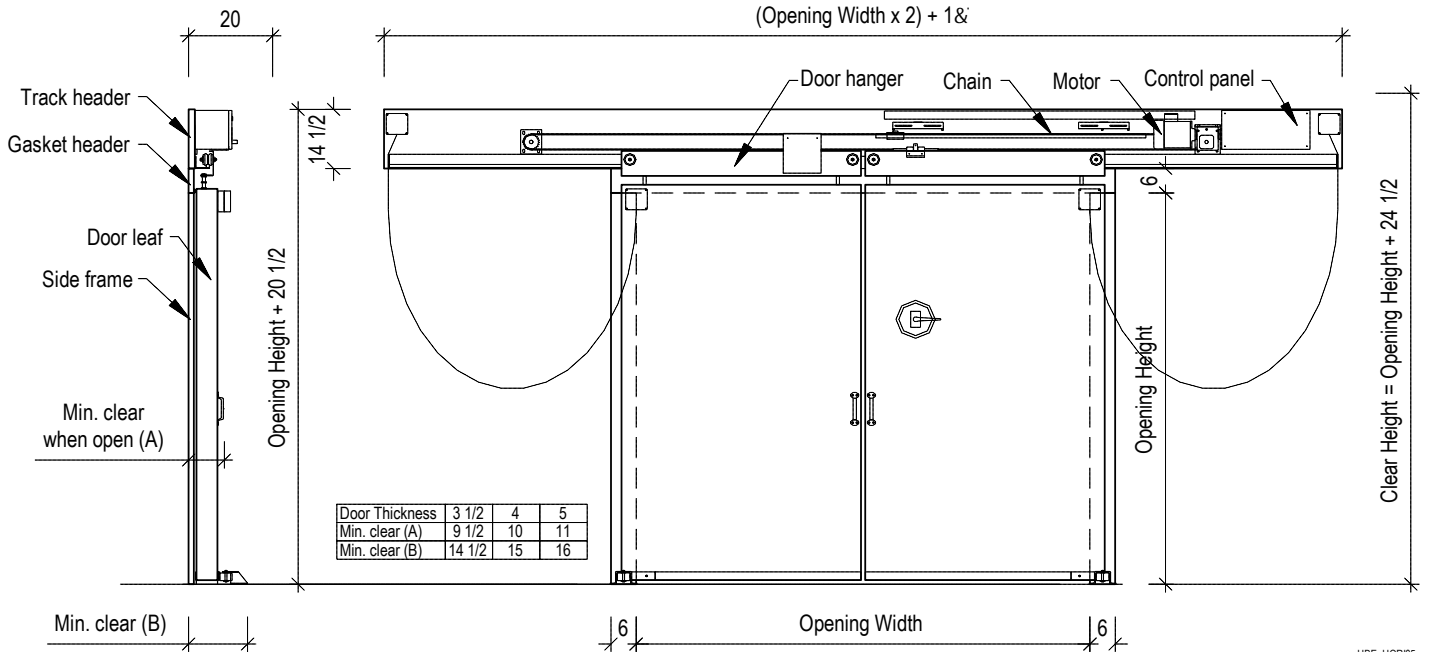
Job Number: \_\_\_\_\_

Job Name: \_\_\_\_\_

Date: \_\_\_\_\_

Quantity: \_\_\_\_\_

**Horizontal Electric Biparting Sliding Door**



<b>Net Opening</b> Width: _____ Height: _____	<b>Door Type</b> <input type="checkbox"/> Cooler <input type="checkbox"/> Freezer Temperature: _____ °F	<b>Door Panel Thickness:</b> <input type="checkbox"/> 3 1/2" <input type="checkbox"/> 4" <input type="checkbox"/> 5"	<b>Exterior Finish</b> <input type="checkbox"/> Smooth <input type="checkbox"/> Stucco <input type="checkbox"/> Steel Galvanized <input type="checkbox"/> Steel White <input type="checkbox"/> Aluminum <input type="checkbox"/> Aluminum White <input type="checkbox"/> Stainless Steel* <input type="checkbox"/> Galvaneal* <input type="checkbox"/> Other _____	<b>Interior Finish</b> <input type="checkbox"/> Smooth <input type="checkbox"/> Stucco <input type="checkbox"/> Steel Galvanized <input type="checkbox"/> Steel White <input type="checkbox"/> Aluminum <input type="checkbox"/> Aluminum White <input type="checkbox"/> Stainless Steel* <input type="checkbox"/> Galvaneal* <input type="checkbox"/> Other _____
<b>Options</b> <input type="checkbox"/> Lock Hasp w/ Safety Release <input type="checkbox"/> Breaker Handle <input type="checkbox"/> Heated Threshold <input type="checkbox"/> Double Frame & Header <input type="checkbox"/> Return Jambs Wall Thickness: _____ <input type="checkbox"/> View Window <input type="checkbox"/> Non-Heated <input type="checkbox"/> Heated	<b>Electric Operator</b> <input type="checkbox"/> 208V <input type="checkbox"/> 220V <input type="checkbox"/> 460V <input type="checkbox"/> 1 ph <input type="checkbox"/> 3 ph <input type="checkbox"/> 60Hz <input type="checkbox"/> 50 Hz _____ Additional Pull Cords (2 standard) Radio Set: <input type="checkbox"/> Standard (operates 1 door) <input type="checkbox"/> Industrial (operates up to 4 doors) <input type="checkbox"/> Timer <input type="checkbox"/> Magnetic Loop <input type="checkbox"/> Microwave Sensor _____	<input type="checkbox"/> Rigidized <input type="checkbox"/> Kickplates <input type="checkbox"/> Aluminum Diamond Tread <input type="checkbox"/> Galvanized _____ *smooth only	<input type="checkbox"/> Rigidized <input type="checkbox"/> Kickplates <input type="checkbox"/> Aluminum Diamond Tread <input type="checkbox"/> Galvanized _____ *smooth only	

Charges will be assumed by buyer for changes or cancellations to work in process. Buyer hereby accepts responsibility for all sizes and dimensions. This order will not be processed until all acknowledgment forms are signed and returned.

Specifications Accepted by: \_\_\_\_\_ Date: \_\_\_\_\_

