



2271 NE 194th • Portland, Oregon 97230  
Toll Free (800) 238-4093 • Phone (503) 665-5539 • Fax (503) 665-2929  
email: [sales@imperialmfg.com](mailto:sales@imperialmfg.com) • web: [www.imperialmfg.com](http://www.imperialmfg.com)

# Walk-ins

*Revolutionary*  
People... Ideas... Products...*Performance*

In line with our policy of constant improvement and engineering development, the Manufacturer reserves the right to change specifications or details without notice or obligation.

# Applications

## *Special Applications*

Imperial Manufacturing can meet the needs of a wide variety of special applications. Some of the challenges that we have answered include units that fit on top of other units, and units that go onboard ships. Tell us where you need to have a freezer or a cooler and we will manufacture it to your specifications. Imperial is the industry leader in energy efficient walk-in cooler and freezer system designs.

A variety of types of panel construction and finishes may be employed to meet the demands of aesthetic appeal, labor efficiency and energy conservation.

Features and accessories include:

- CFC & HCFC Free Class I urethane foam insulation in thicknesses from 3 ½” to 5 ½”
- Cold storage doors for personnel, pallet jack or forklift use
- Engineered structural support systems for seismic, wind and snow load conditions
- Cam-lock fasteners
- Shelving
- Energy efficient refrigeration systems



All Imperial structures are designed for fast, accurate erection to meet critical construction time schedules and minimize the loss of productivity in your facility.

Our engineering and design department provides precise, accurate shop drawings with supporting details to insure a quality installation.

## ***Restaurant***

Cleanliness, appearance and optimum utilization of space for equipment are all important requirements for restaurants. Imperial Manufacturing will custom fit its insulated structures to your space, and because we use the most energy efficient CFC and HCFC Free Class I urethane foam insulation available today, our wall thicknesses are minimized, leaving more space for other equipment.



A variety of metal finishes may be provided to meet your needs of appearance and cleanability. Features and accessories available include:

- Spring loaded self closing hinges
- Door closers
- Cylinder locks
- Shelving
- Interior ramps
- Alarm systems
- Energy Efficient Refrigeration Systems



Imperial offers the finest in cold storage doors, including:

- Flush with magnetic gasket
- Overlap
- Reach in
- Double acting

Our engineering department provides accurate CAD drawings and details to insure a tight fit and quality installation.

## **Grocery Stores & Supermarkets**

A variety of panel construction, insulation and finishes may be employed to meet the demands that apply to the grocery store/supermarket industry.



Imperial walk-ins are custom de signed and built to meet the requirements of all departments including produce, meat, deli, bakery, floral, fish/seafood or freezer storage.

Accessories available include:

- Finishes to match the decor of individual departments
- Kickplates and heavy duty jamb liners to offer protection for the door and door opening
- Wall mounted cantilever shelving
- Glass reach-in doors for dairy or beverage coolers
- Electrical boxes and conduit internally mounted in the wall panels for prep room use



## ***Cold Storage Warehouses***

Imperial Manufacturing foamed-in-place urethane panels and cam-lock fasteners assure panel quality and strength to meet the heavy duty use of indoor or outdoor cold storage warehouses.

Imperial will custom design a structure, large or small, to fit your specific needs. A variety of metal finishes are available. With our energy efficient HFC Free Class I urethane foam insulated panels in thicknesses from 3 ½” to 5 ½”, we can provide R-Values appropriate for the wide range of energy requirements from storage coolers to blast freezers.

Single wall panel heights are available to 24'. Greater heights can be achieved with stacked panel construction.

Imperial offers the finest in cold storage doors for personnel, pallet jack or forklift use, including:

- Overlap
- Manual and Electric Sliding
- Vertical Lift
- Sectional
- Double Acting

Our design team works with your architect, consultant or contractor to facilitate the construction of your cold storage warehouse by:

- Designing sloped or pitched roofs for outdoor applications to meet local code requirements
- Engineering structural support systems for seismic, wind and snow load conditions
- Coordinating the design of our structure with insulated floor systems
- Coordinating pallet racking with the design of the structure
- Assisting in meeting local and regulatory requirements for your structure
- Providing precise, accurate shop drawings and curb layouts with supporting details to insure a quality installation



## Convenience Stores

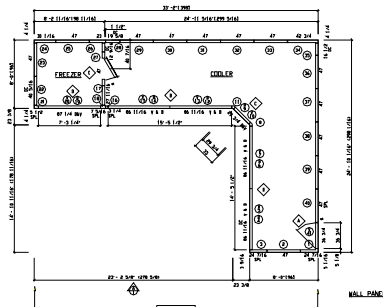
Maximum product display is a priority in convenience stores and mini-marts. This is easily achieved with Imperial coolers and freezers, custom designed and built to meet your needs.

Typically, the walk-in is the visual focal point within the store. With this importance on appearance, Imperial offers a wide range of panel finishes to match your individual decor. Imperial can also supply plywood finishes allowing your own contractor to provide a custom finish.

Choose from a variety of glass door styles, frame finishes and custom accessories to enhance your point-of-sale items.

Standard and custom shelving is available to maximize facing opportunities and inventory display.

Many design alternatives are available to accommodate your store size and decor.



## ***Processing Facilities***

Designed with easy to clean surfaces for heavy washdown, Imperial Manufacturing foamed-in-place urethane panels and cam-lock fasteners assure panel quality and strength for the heavy duty use of indoor or outdoor processing facilities.

Manufactured and engineered for cold storage needs including meat, fish or poultry. Single wall panel heights are available to 24', and for applications where floor space is minimal, greater heights can be achieved with stacked panel construction.

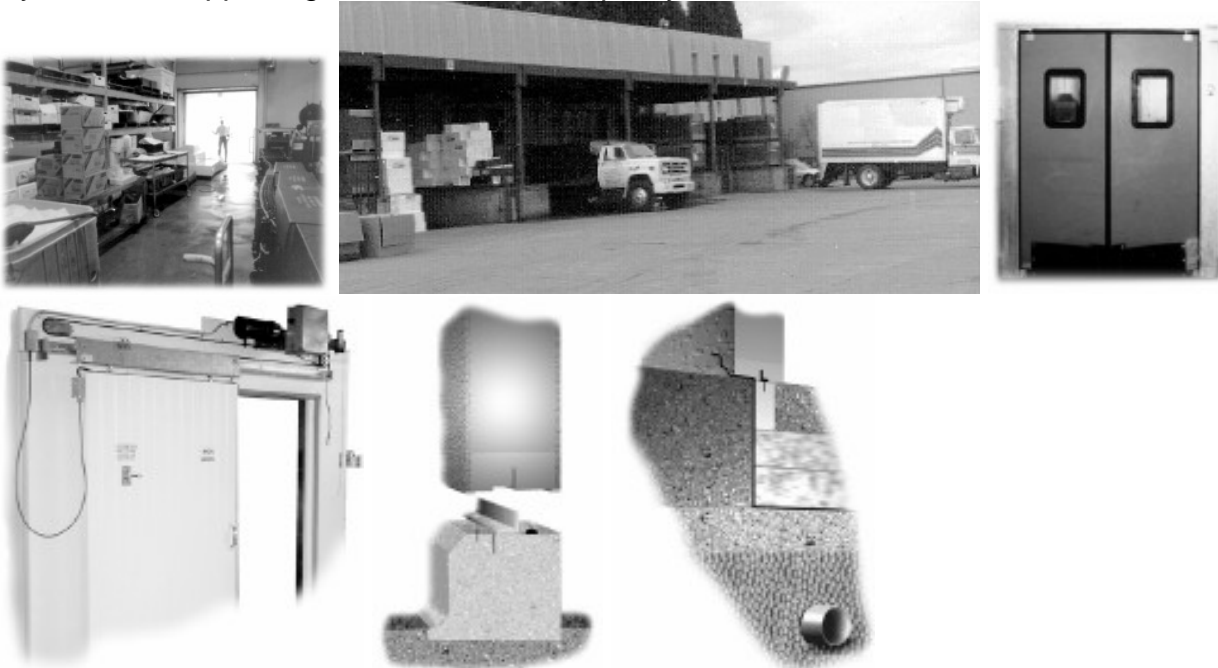
Features and accessories include:

- CFC Free Class I urethane foam insulation in thicknesses of 3 ½" to 5 ½"
- Sloped or pitched roofs for outdoor applications
- Structural support systems engineered for seismic, wind and snow load conditions
- Kickplates and heavy duty jam liners to offer protection for the door and door opening
- Optional finishes including FRP and white baked enamel
- USDA approval

Imperial offers the finest in cold storage doors for personnel, pallet jack or forklift use, including:

- Infitting
- Manual and Electric Sliding
- Vertical Lift
- Sectional
- Double Acting

Our engineering and design department provides precise, accurate shop drawings and curb layouts with supporting details to insure a quality installation.



## **Schools**

A wide variety of finishes and construction types are available to meet your custom needs. All units can be constructed with NSF, UL , USDA Factory Mutual and LA-RR approval.

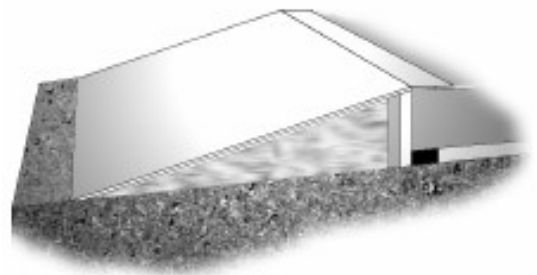
Imperial offers the finest in cold storage doors for personnel, pallet jack or forklift use, including:

- ThermoSteel Flush Doors
- Manual and Electric Sliding Doors for Commissaries and School District Warehouses
- Double Acting

Accessories include:

- Shelving
- Alarm systems
- Kickplates and heavy duty jam liners to offer protection for the door and door opening
- Energy Efficient Refrigeration Systems
- Optional finishes including stainless steel and white baked enamel
- Interior and exterior ramps

Our engineering and design department provides precise, accurate shop drawings and curb layouts with supporting details to insure a quality installation.





## ***Hospitals / Pharmaceutical***

Manufactured and engineered for the unique requirements of hospitals and pharmaceutical clean rooms, these structures provide a critical barrier against the outside environment. They are durable, easy to clean and air tight. A variety of metal finishes may be provided to match your decor. CFC and HCFC Free Class I insulation, safe for humans and the environment, is standard.

All Imperial structures are designed for fast, accurate erection to meet critical construction time schedules and minimize the loss of productivity in your facility.

Features and accessories include:

- Stainless steel finish
- Self-closing flush doors with magnetic gasket
- Cylinder locks
- Interior ramps
- Shelving

Imperial offers the finest in cold storage doors for personnel, pallet jack or forklift use, including:

- Flush Infitting
- Sliding
- Vertical Lift
- Sectional
- Double Acting
- Reach-In

Our engineering and design department provides precise accurate layouts with matching details to insure a quality installation.



## ***Military & Government***

Imperial Manufacturing has a long history of providing custom designed products to meet and exceed the critical requirements of the military, from commissaries to large warehouses. Standard CFC Free Class I foamed-in-place urethane construction, with camlock fasteners and heavy duty metal, meets requirements for energy conservation, sanitation, aesthetic appeal and durability.

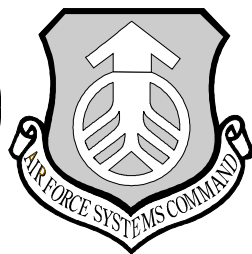
A wide variety of finishes, panel heights and construction type can be provided to meet the demands of highly specialized applications.

Single wall panel heights to 24' are available. Greater heights can be achieved with stacked panel construction.

Imperial offers the finest in cold storage doors for personnel, pallet jack or forklift use, including:

- Infitting
- Manual and Electric Sliding
- Vertical Lift
- Sectional
- Double Acting

Our engineering and design department provides precise, accurate shop drawings and curb layouts with supporting details to insure a quality installation.

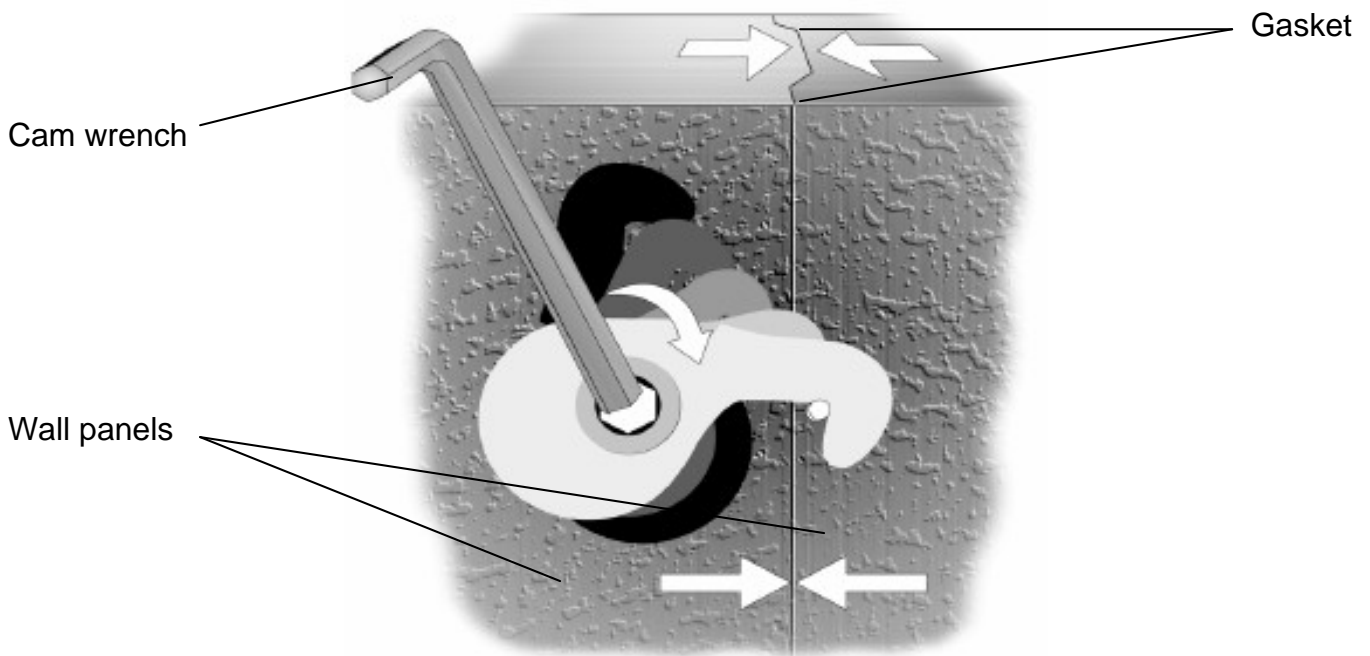


## Details

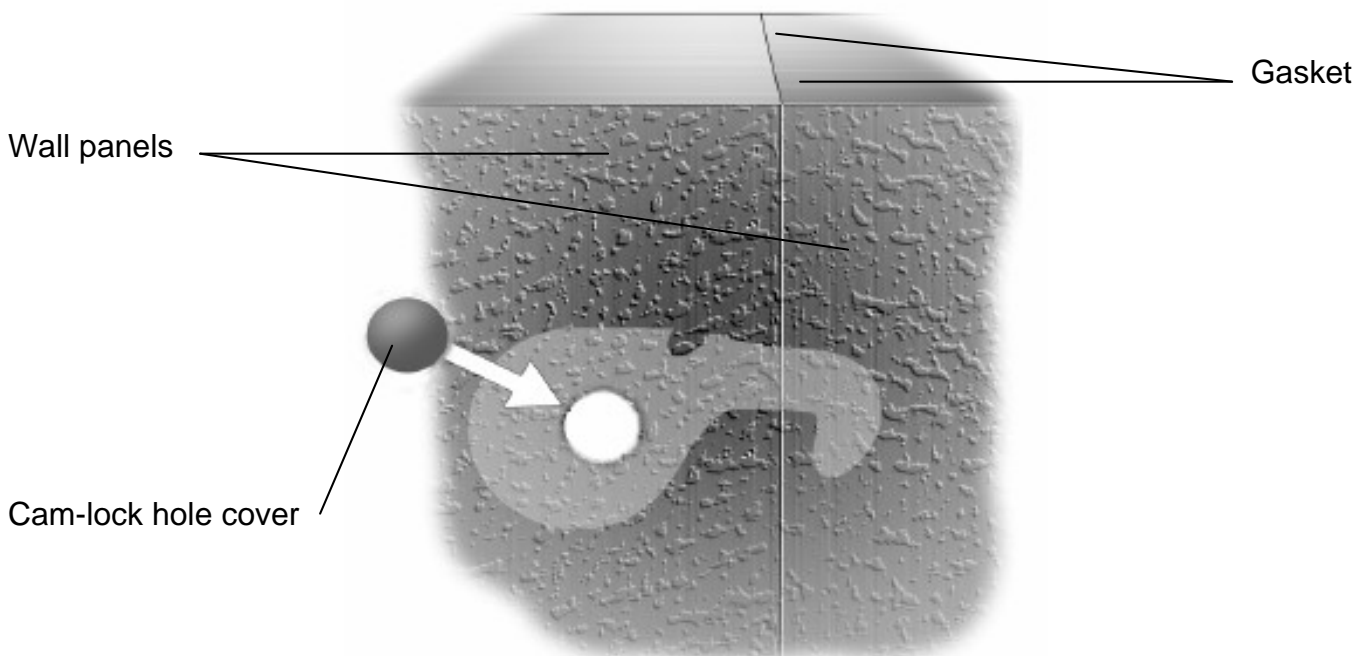
### *The Cam-Lock Assembly*

At the heart of all Imperial Super-Insulated Structures is the cam-lock assembly. As you can see from the illustration below, the wall sections are drawn together forming an incredibly tight seal and barrier to the elements.

### High-Density Framed Panel



### Wood Framed Panel



**Standard Cooler Floor**

Wall panel

**INTERIOR**

**EXTERIOR**

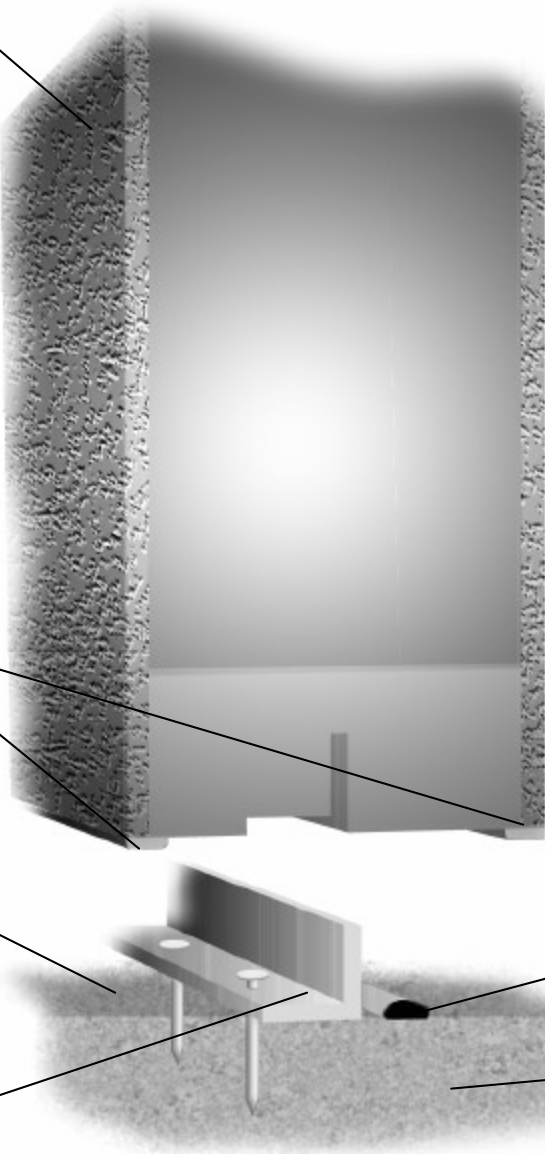
Gasket

Floor finish

Angle screed

Caulking

Concrete slab



***Common or Exposed Wall with Curb for Coolers***

Wall panel

**INTERIOR**

**EXTERIOR**

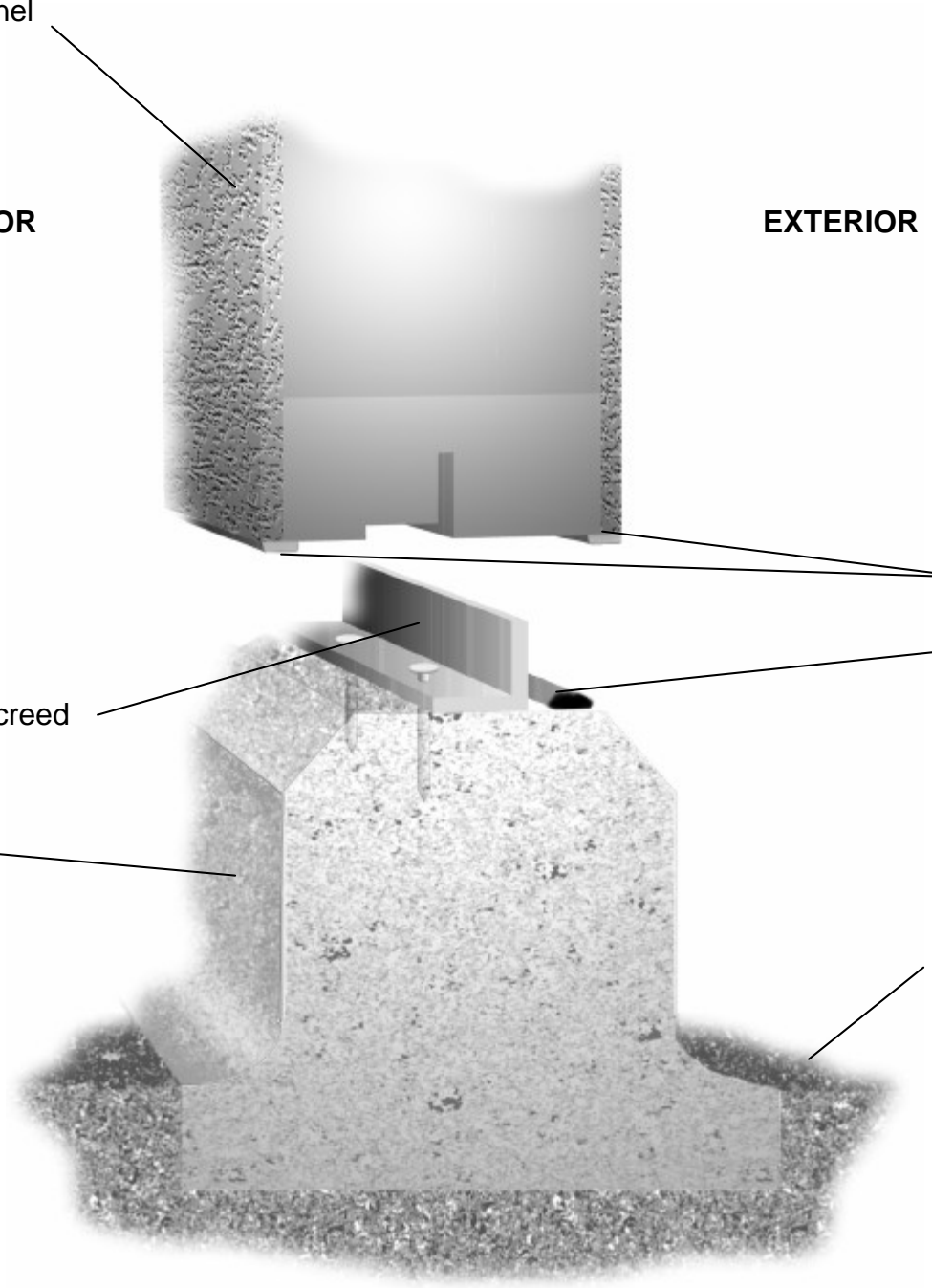
Gasket

Caulk

Angle screed

Curb

Finish floor



## ***Outside Wall Flush with Curb for Coolers***

Wall panel

**INTERIOR**

**EXTERIOR**

Gasket

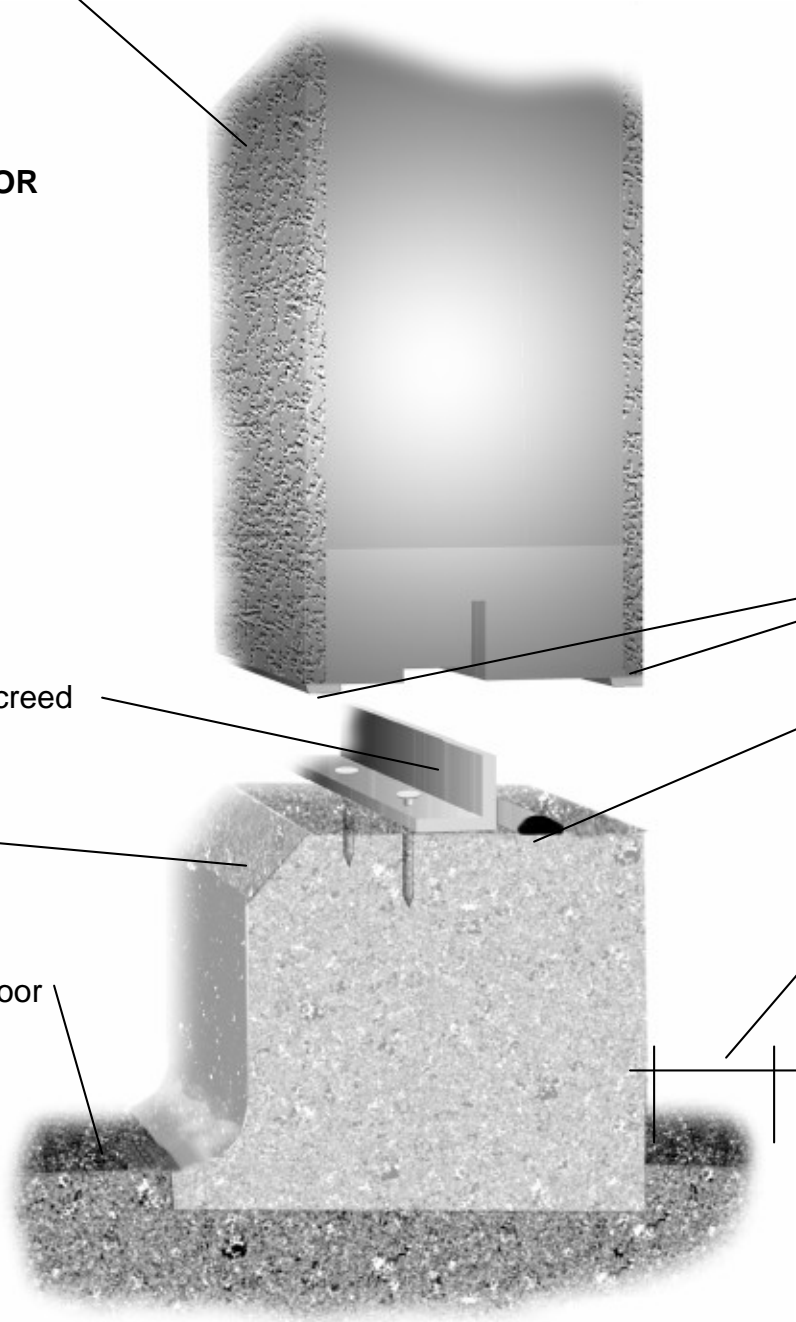
Caulk

Angle screed

Curb

Finish floor

2" min. clearance  
to finished wall



## ***Common or Exposed Wall with Curb for Freezers***

Wall panel

**INTERIOR  
OF FREEZER**

**EXTERIOR**

Angle screed

Curb

Finish floor

Moisture barrier

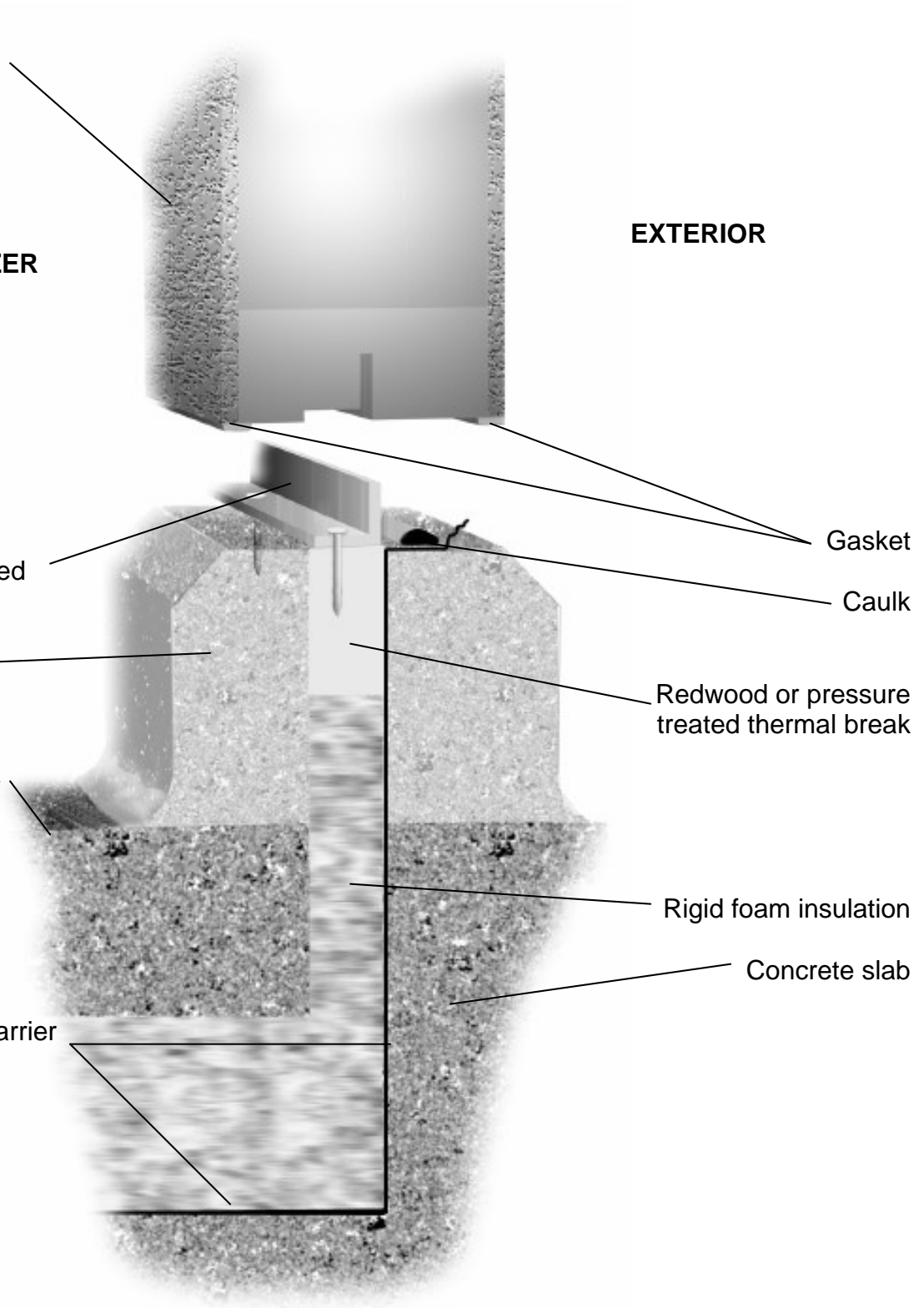
Gasket

Caulk

Redwood or pressure  
treated thermal break

Rigid foam insulation

Concrete slab



# Outside Wall Flush with Curb for Freezers

Wall panel

INTERIOR  
OF FREEZER

EXTERIOR

Angle screed

Curb

Redwood or pressure  
treated thermal break

Finish floor

Moisture barrier

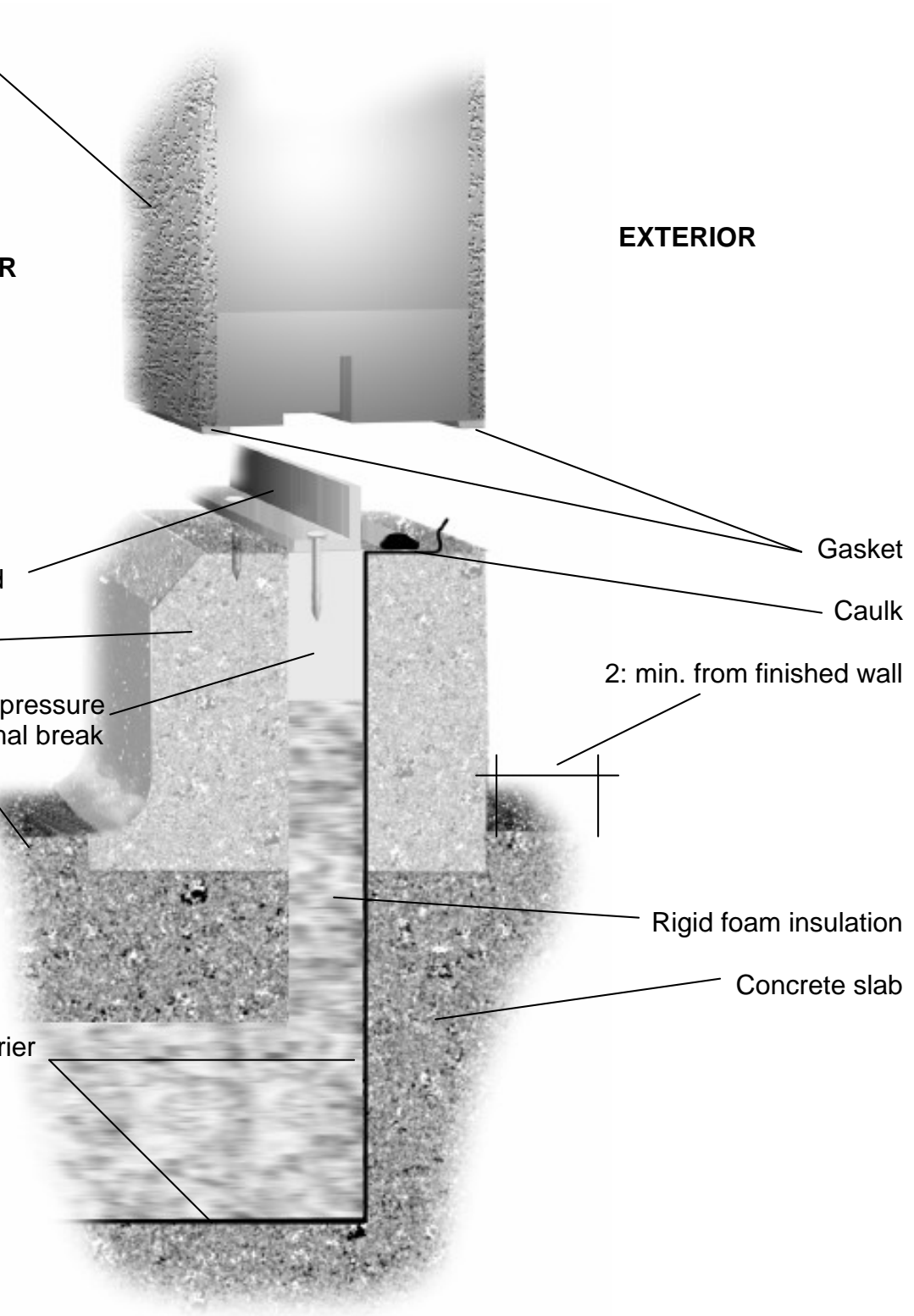
Gasket

Caulk

2: min. from finished wall

Rigid foam insulation

Concrete slab





## Freezer Pit Floor

2" min. from finished wall

EXTERIOR

Wall panel

INTERIOR

Concrete  
wearsurface

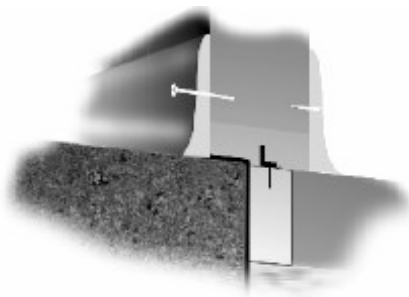
Redwood or pressure  
Treated Thermal break

Concrete slab

Rigid foam insulation

Moisture barrier

## Optional Coving



## Freezer Ventilated Pit Floor

2" min. from finished wall

EXTERIOR

Wall panel

INTERIOR

Concrete  
wearsurface

Redwood or pressure  
Treated Thermal break

Rigid foam insulation

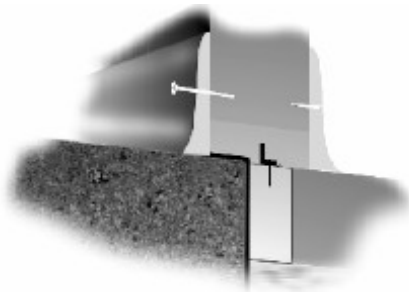
Moisture barrier

Concrete slab

$\frac{3}{4}$ " crushed rock (no fines)

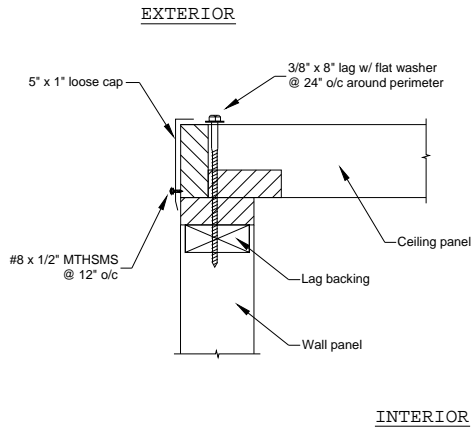
4" perforated A.B.S @ 24" o/c

### Optional Coving

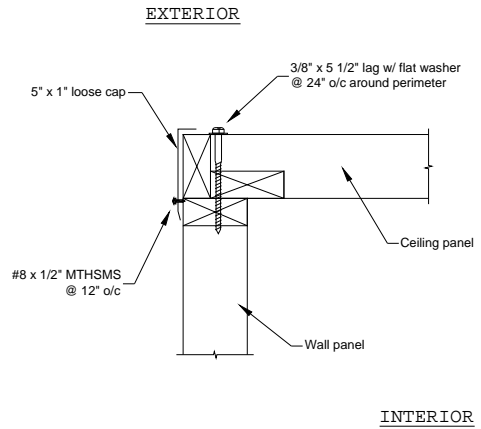


# Ceiling to Wall Combinations

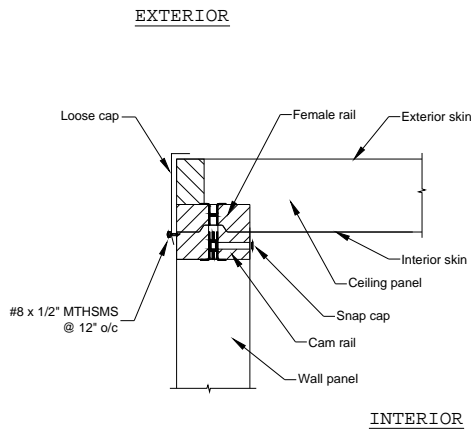
Lag-Down Ceiling Detail (HDU)  
Shown w/ loose cap



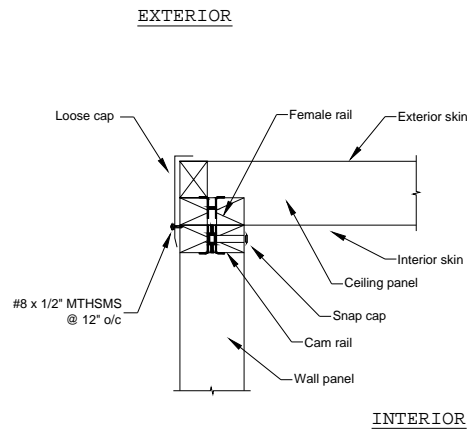
Lag-Down Ceiling Detail (WFU)  
Shown w/ loose cap



Camlock Ceiling Detail (HDU)  
Shown w/ loose cap

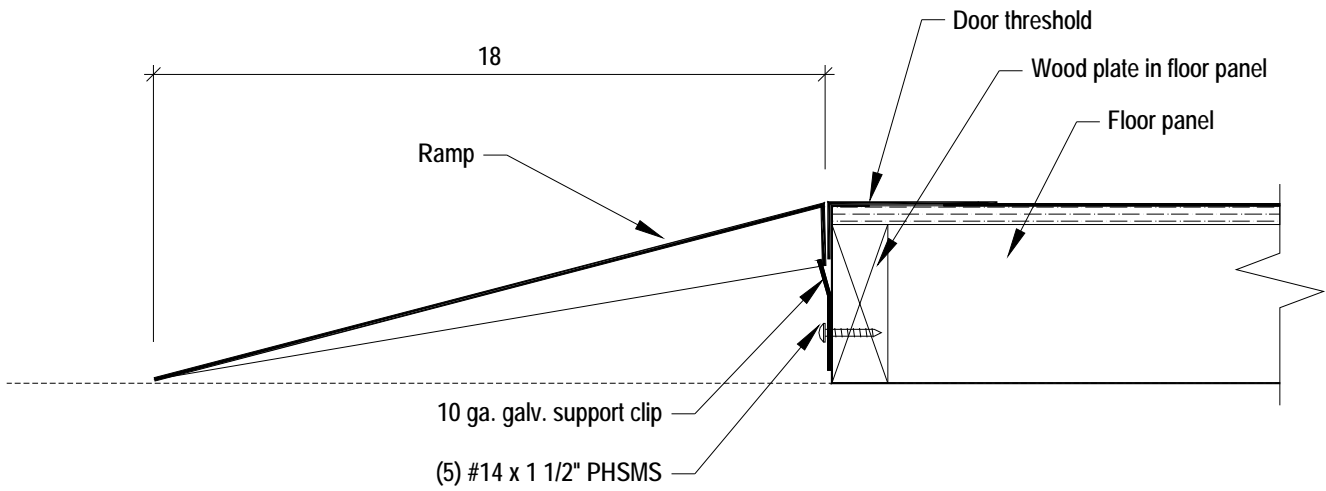


Camlock Ceiling Detail (WFU)  
Shown w/ loose cap

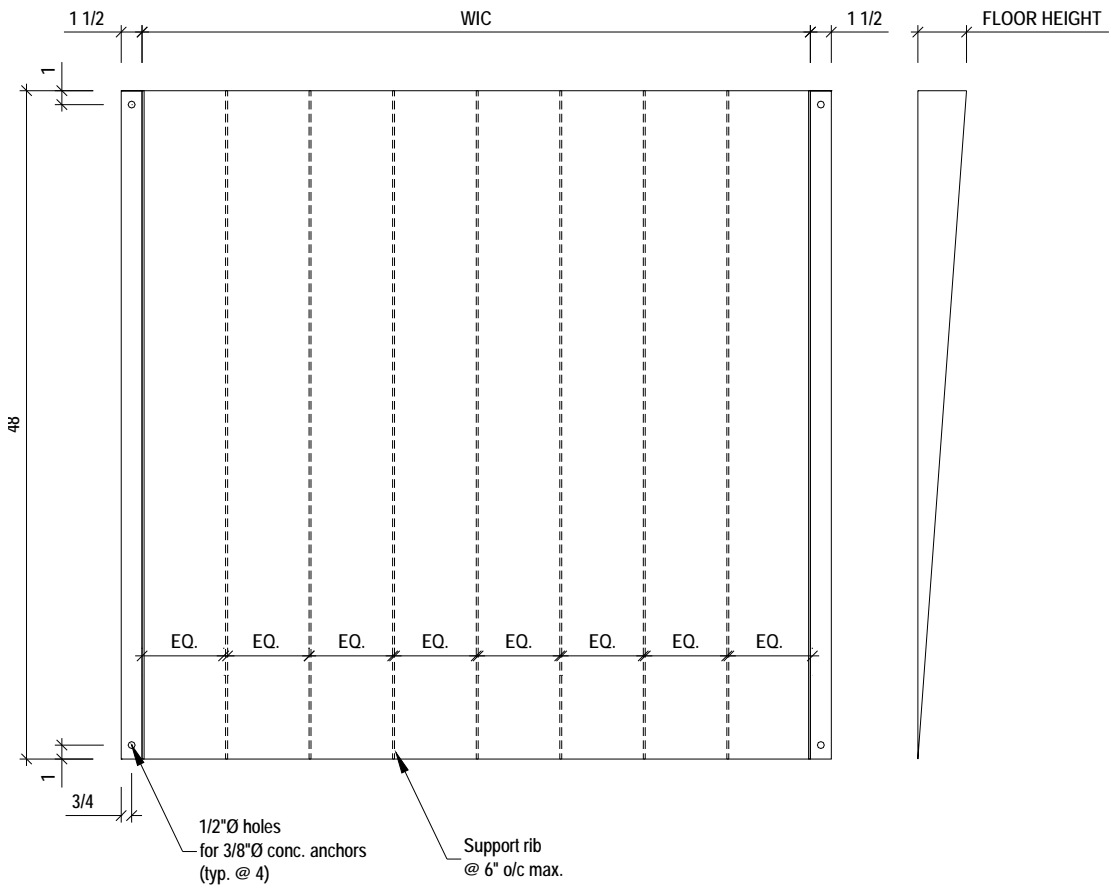


# Entrance Ramps

## Exterior Ramps

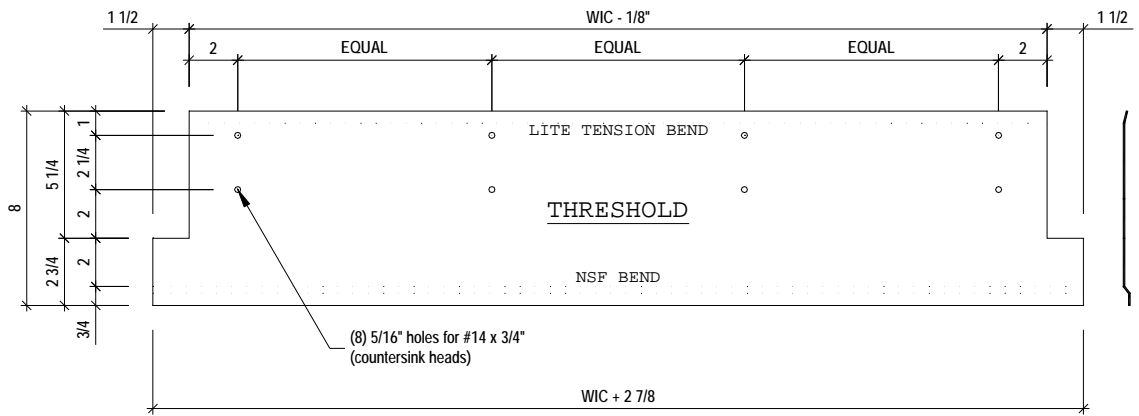
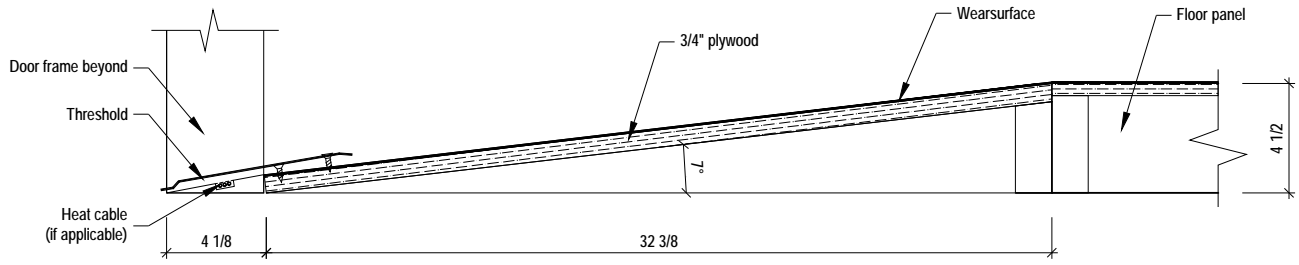


**- Removable Ramp -**



**- Heavy Duty Ramp -**

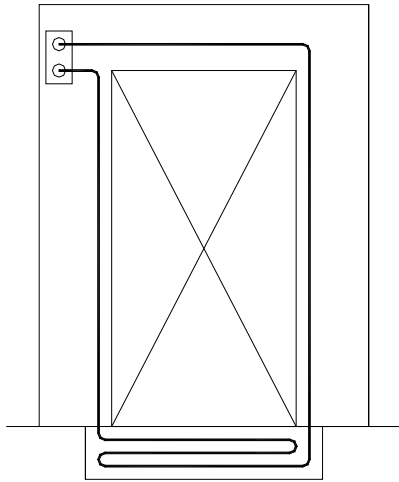
# Interior Ramps



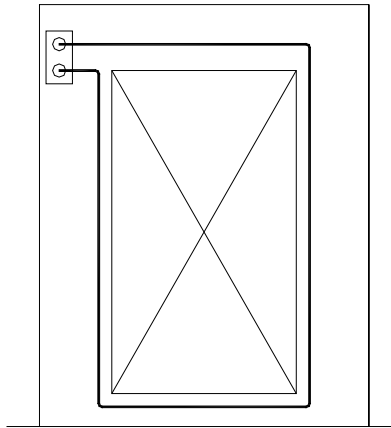
- Model 500I Ramp Used with Flush G3 Door -

## Swing Door Defrost Heat Cable

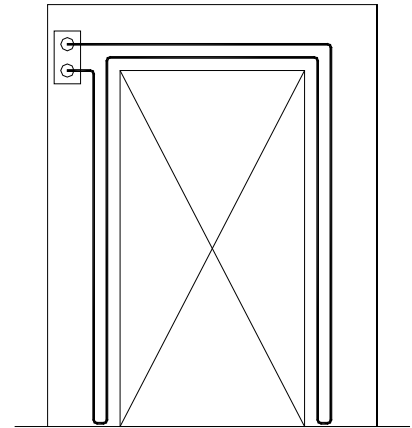
### Heat Cable Layout



4-SIDED HEAT CABLE  
3-SIDE OVERLAP PLUG



4-SIDED HEAT CABLE  
4-SIDE OVERLAP PLUG  
(REACH-IN MAY REQUIRED TWO LOOPS)



3-SIDED HEAT CABLE

### Properties

Imperial selects and sizes its heat cable for each single door in function of door size and application working temperature. A self-regulating thermostat is mounted in the door frame with the heat cable. Heat cable lead wires are routed to a J-box for easy electrical connection. Electrical specifications for Imperial's heat cable are as follows:

- Volt 115 Vac
- Cycles 50/60 Hz
- Max. Power 330 watts
- Avg. Power 10 watts per lin.ft. of door edge